

TITLE: **UNICA - 8 BOTT.**

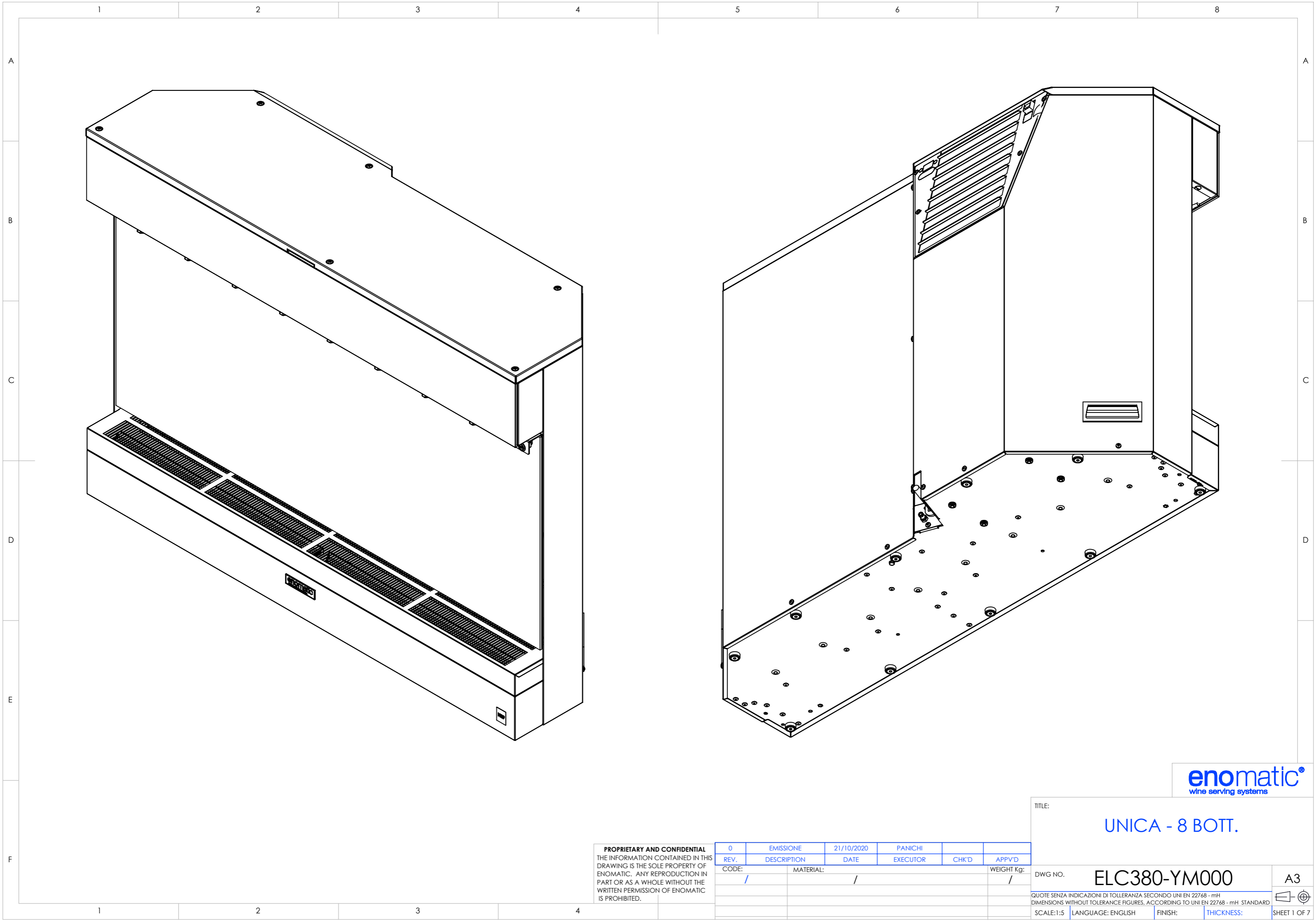
DWG NO. **ELC380-YM000**

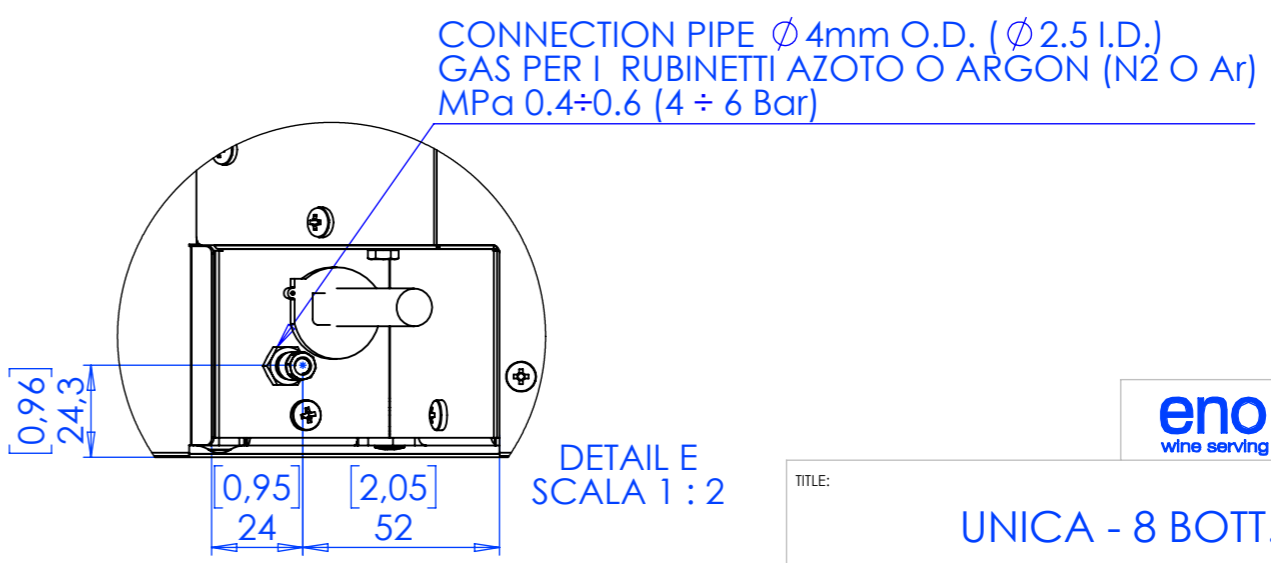
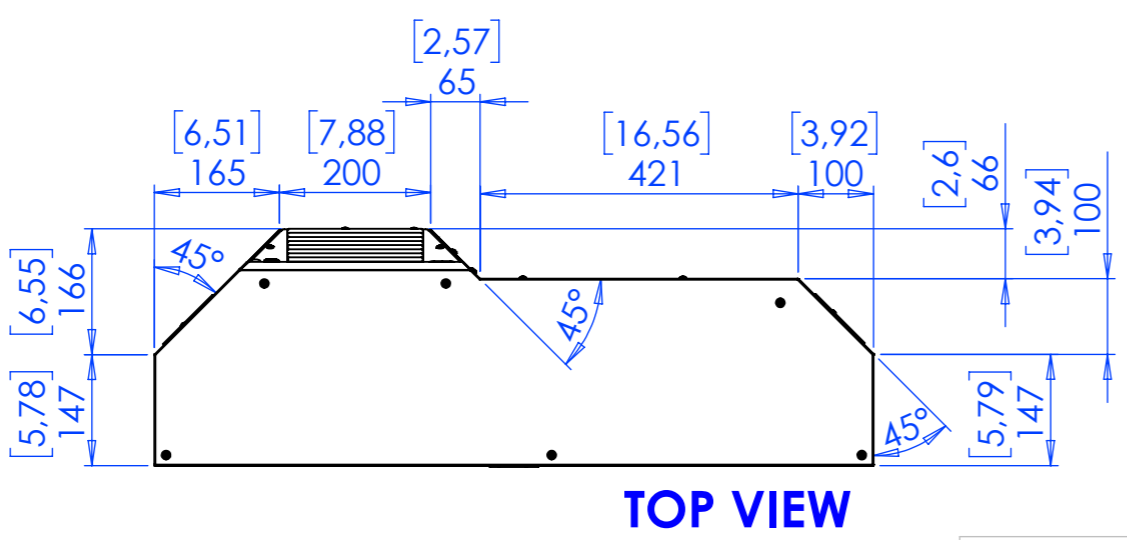
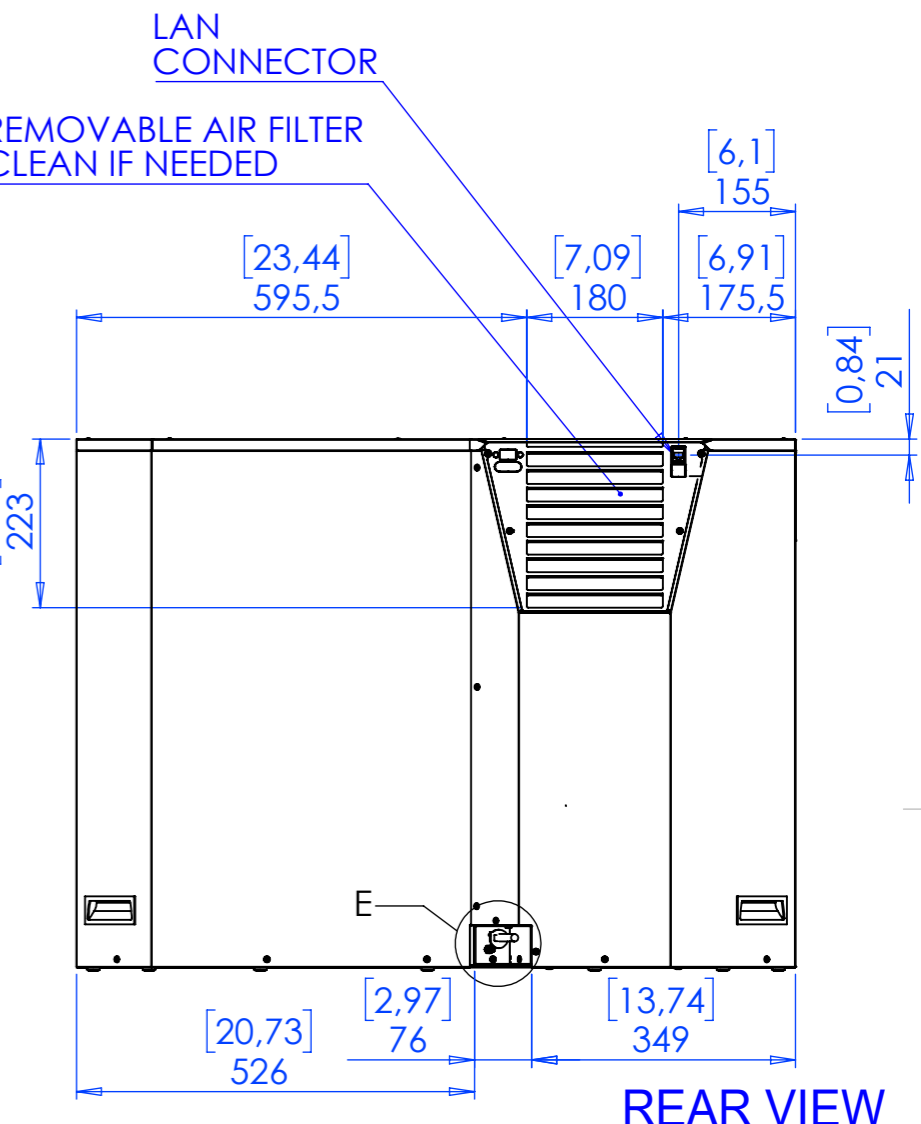
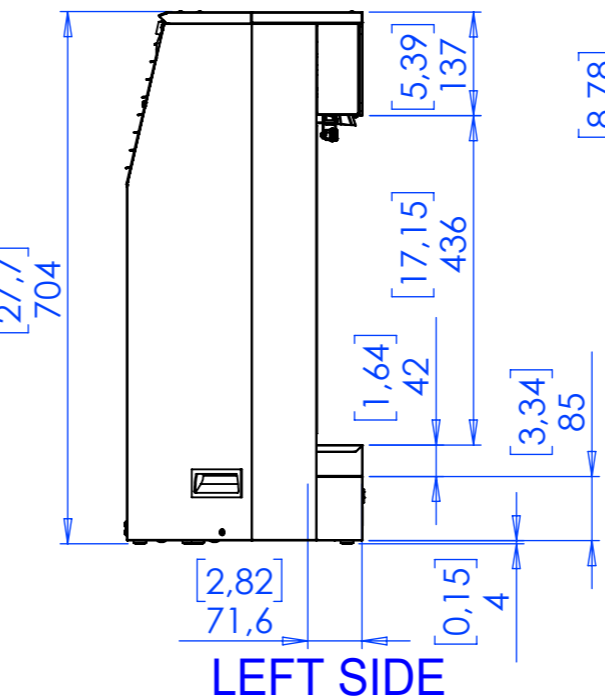
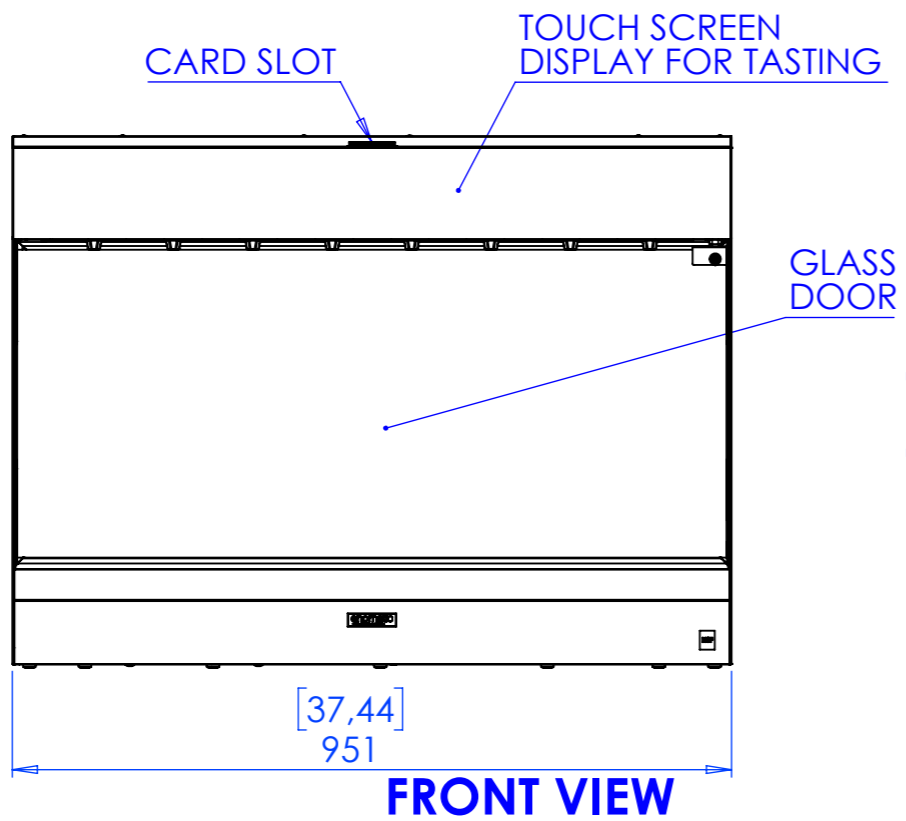
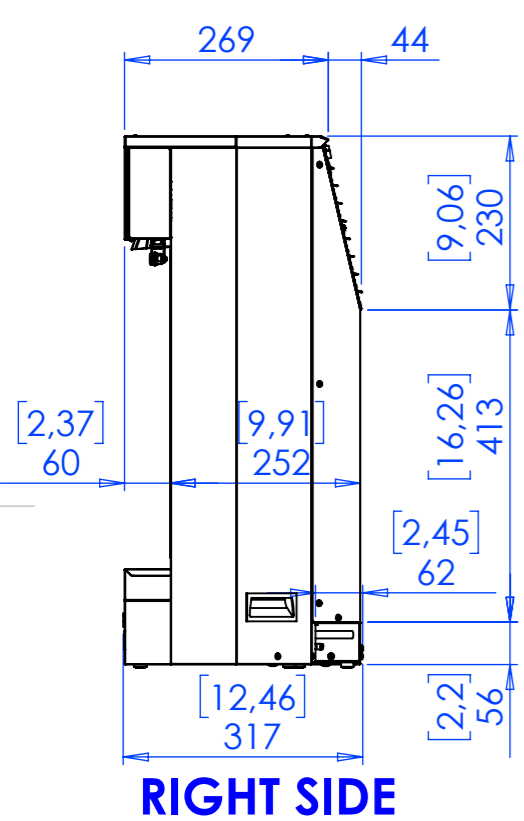
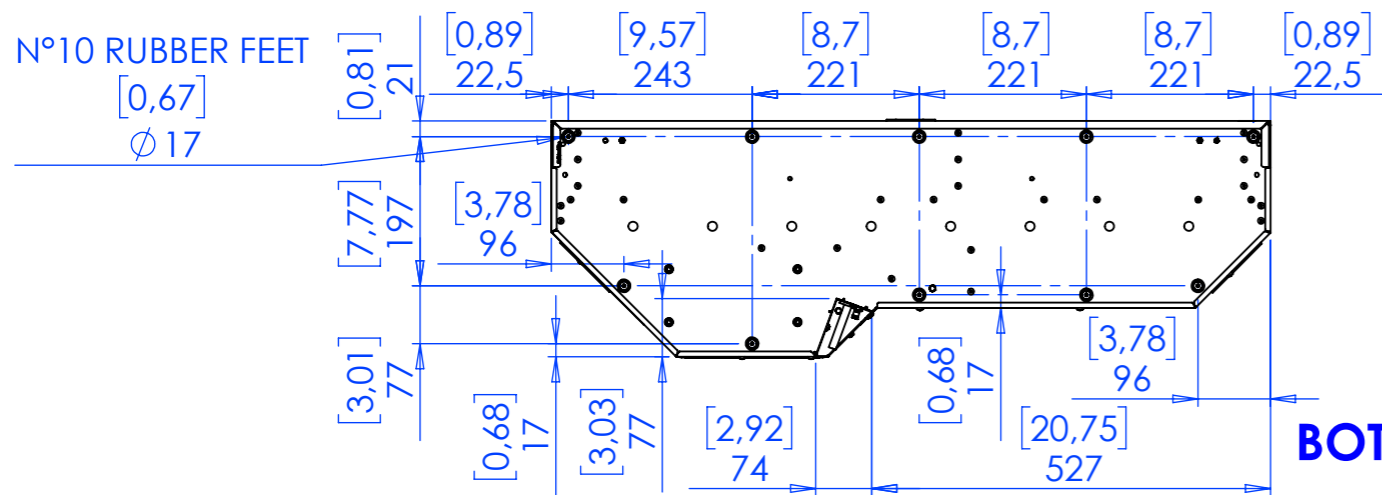
SCALE: 1:5 LANGUAGE: ENGLISH FINISH: THICKNESS:

A3 SHEET 1 OF 7

PROPRIETARY AND CONFIDENTIAL
 THE INFORMATION CONTAINED IN THIS DRAWING IS THE SOLE PROPERTY OF ENOMATIC. ANY REPRODUCTION IN PART OR AS A WHOLE WITHOUT THE WRITTEN PERMISSION OF ENOMATIC IS PROHIBITED.

0	EMISSIONE	21/10/2020	PANICHI		
REV.	DESCRIPTION	DATE	EXECUTOR	CHK'D	APPV'D
CODE:	MATERIAL:				WEIGHT Kg:
/	/				/





NOTE
- ALL DIMENSIONS ARE IN mm [inches]

PROPRIETARY AND CONFIDENTIAL
THE INFORMATION CONTAINED IN THIS DRAWING IS THE SOLE PROPERTY OF ENOMATIC. ANY REPRODUCTION IN PART OR AS A WHOLE WITHOUT THE WRITTEN PERMISSION OF ENOMATIC IS PROHIBITED.

REV.	DESCRIPTION	DATE	EXECUTOR	CHK'D	APPV'D
CODE:	MATERIAL:				WEIGHT Kg:
/	/	/	/	/	/

enomatic®
wine serving systems

TITLE: **UNICA - 8 BOTT.**

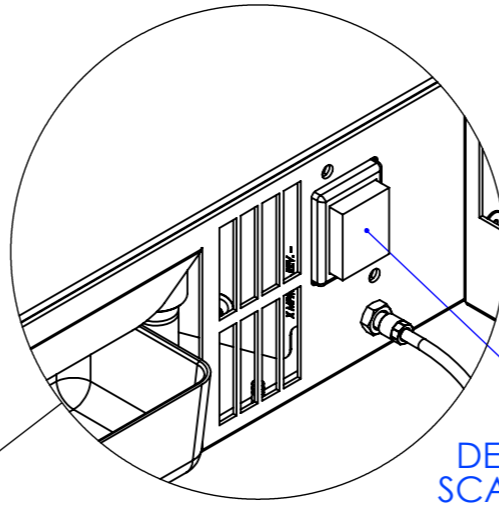
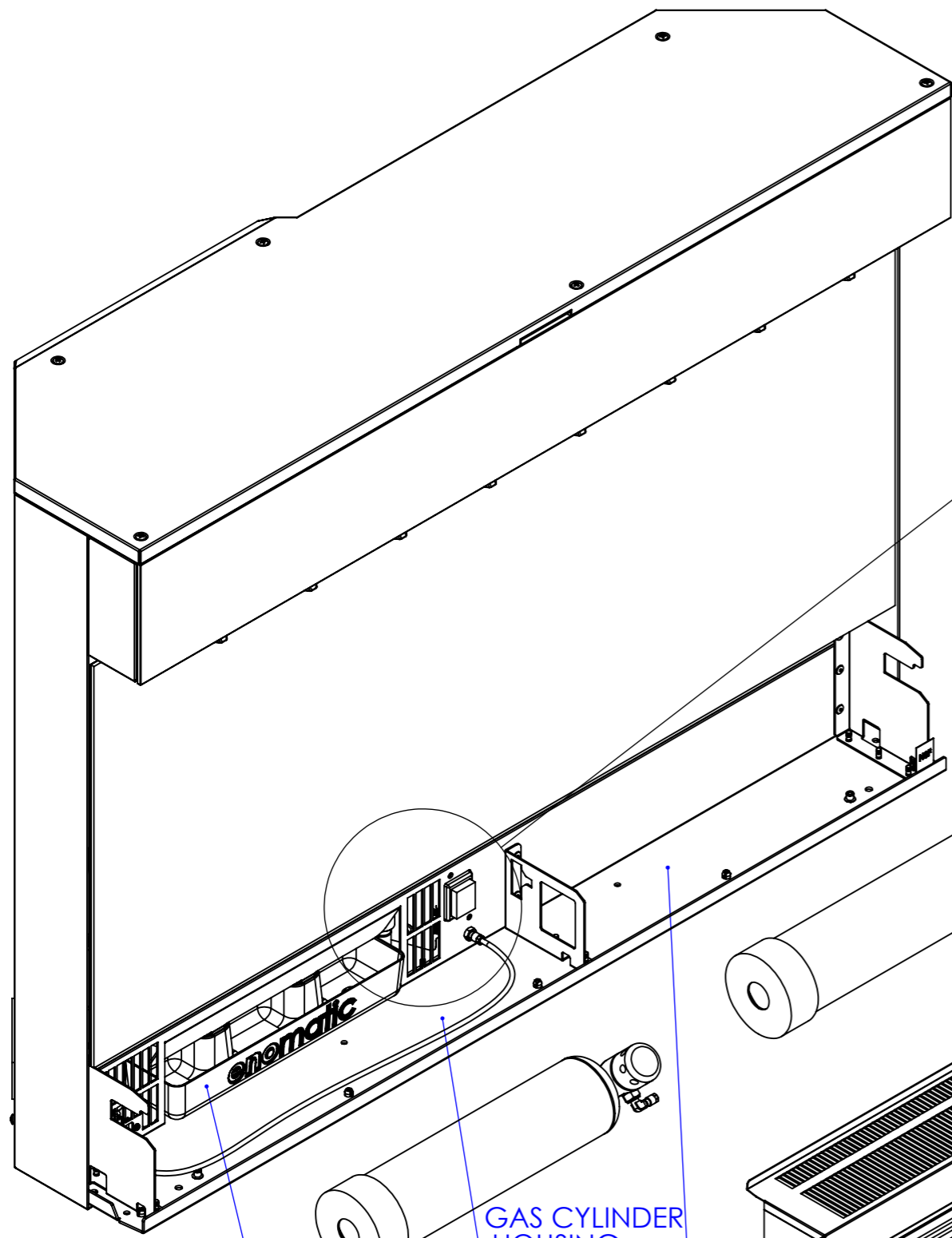
DWG NO. **ELC380-YM000**

SCALE: 1:10 LANGUAGE: ENGLISH FINISH: THICKNESS: A3

QUOTE SENZA INDICAZIONI DI TOLLERANZA SECONDO UNI EN 22768 - mH
DIMENSIONS WITHOUT TOLERANCE FIGURES, ACCORDING TO UNI EN 22768 - mH STANDARD

SHEET 2 OF 7

PRIMARY ACCESSORIES NOT INCLUDED



MAIN SWITCH

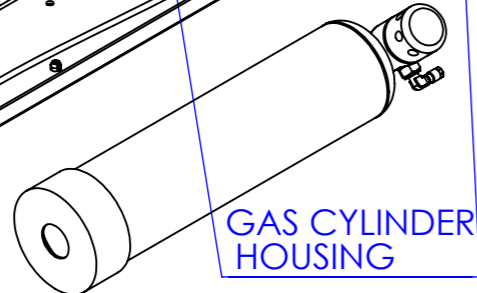
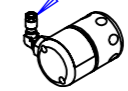
DETAIL K
SCALA 2 : 5

6458
CODE TO ORDER N°1
HIGH PRESSURE
REGULATOR M11x1
for disposable tanks
with needle valve



6448
CODE TO ORDER
DISPOSABLE COMPRESSED
ARGON M11x1 0,95Lt
UN 1006 , 2.2 (E) NR. 1 CANISTER

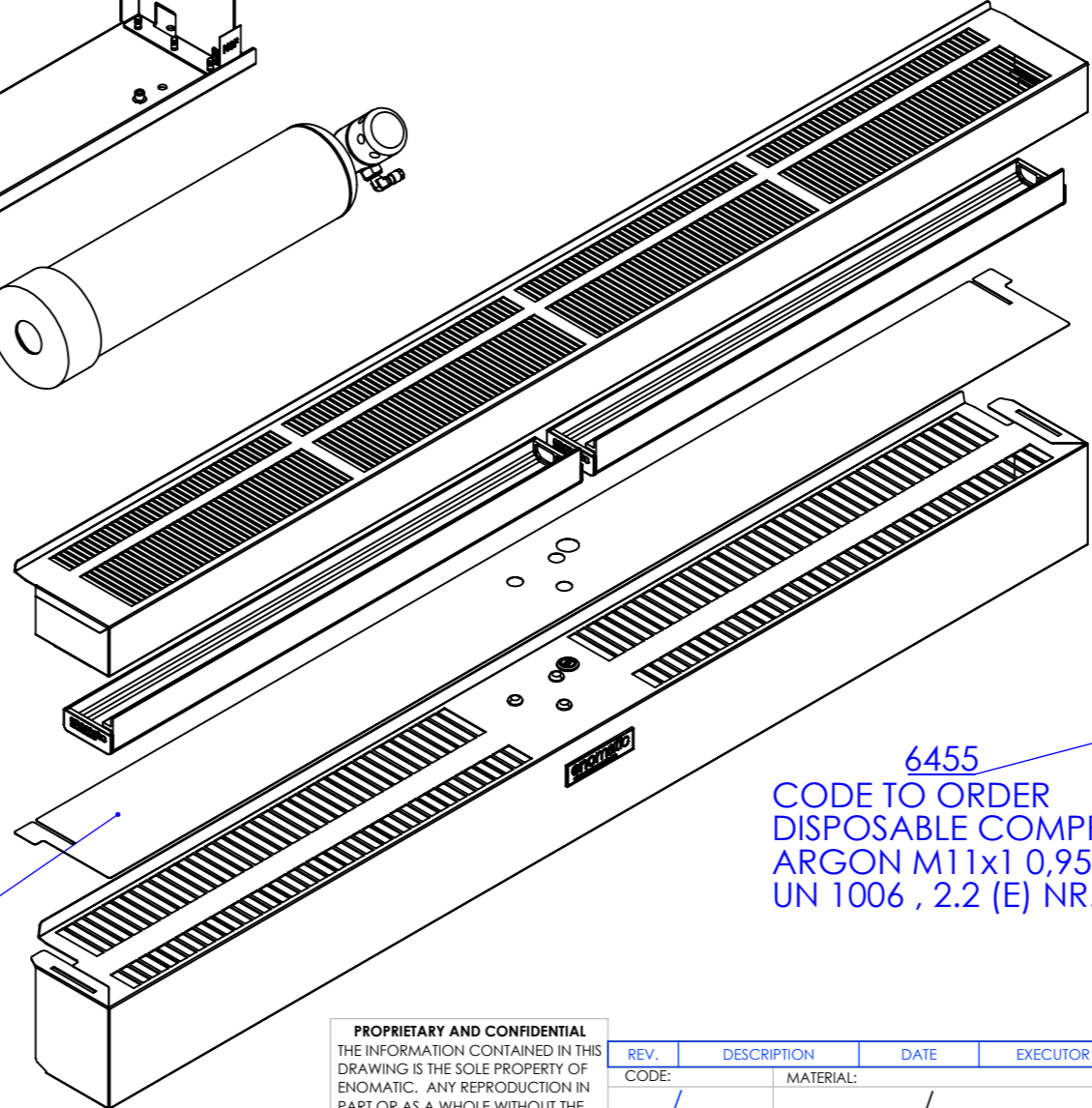
6457
CODE TO ORDER N°1
HIGH PRESSURE
REGULATOR M10X1
for disposable tanks
with needle valve



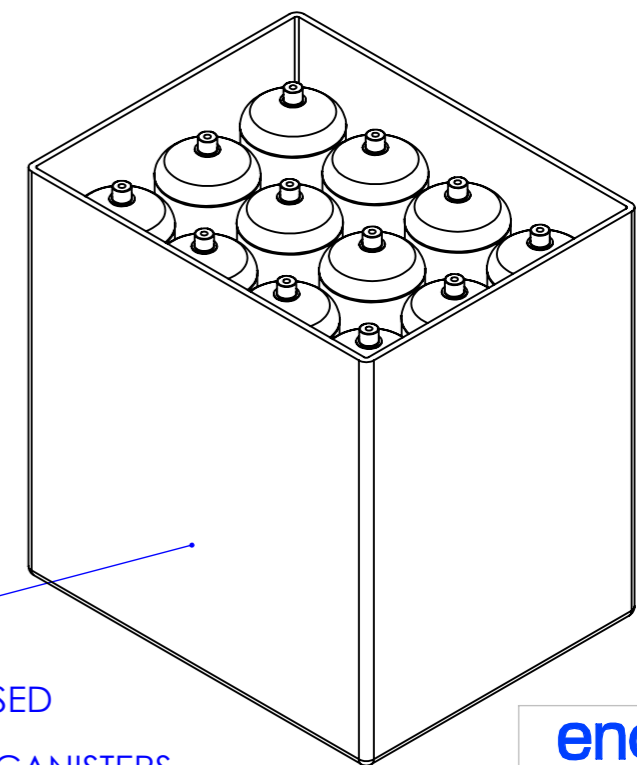
GAS CYLINDER
HOUSING

REMOVABLE
CONDENSATION TRAY

REMOVABLE AIR FILTER
CLEAN IF NEEDED



6455
CODE TO ORDER
DISPOSABLE COMPRESSED
ARGON M11x1 0,95Lt
UN 1006 , 2.2 (E) NR.12 CANISTERS



PROPRIETARY AND CONFIDENTIAL
THE INFORMATION CONTAINED IN THIS
DRAWING IS THE SOLE PROPERTY OF
ENOMATIC. ANY REPRODUCTION IN
PART OR AS A WHOLE WITHOUT THE
WRITTEN PERMISSION OF ENOMATIC
IS PROHIBITED.

REV.	DESCRIPTION	DATE	EXECUTOR	CHK'D	APPV'D
CODE:	MATERIAL:				WEIGHT Kg:
/	/	/	/	/	/

TITLE: **UNICA - 8 BOTT.**

DWG NO. **ELC380-YM000**

SCALE:1:5 LANGUAGE: ENGLISH FINISH: THICKNESS:

A3 SHEET 3 OF 7

UNICA - 4 BOTTLE

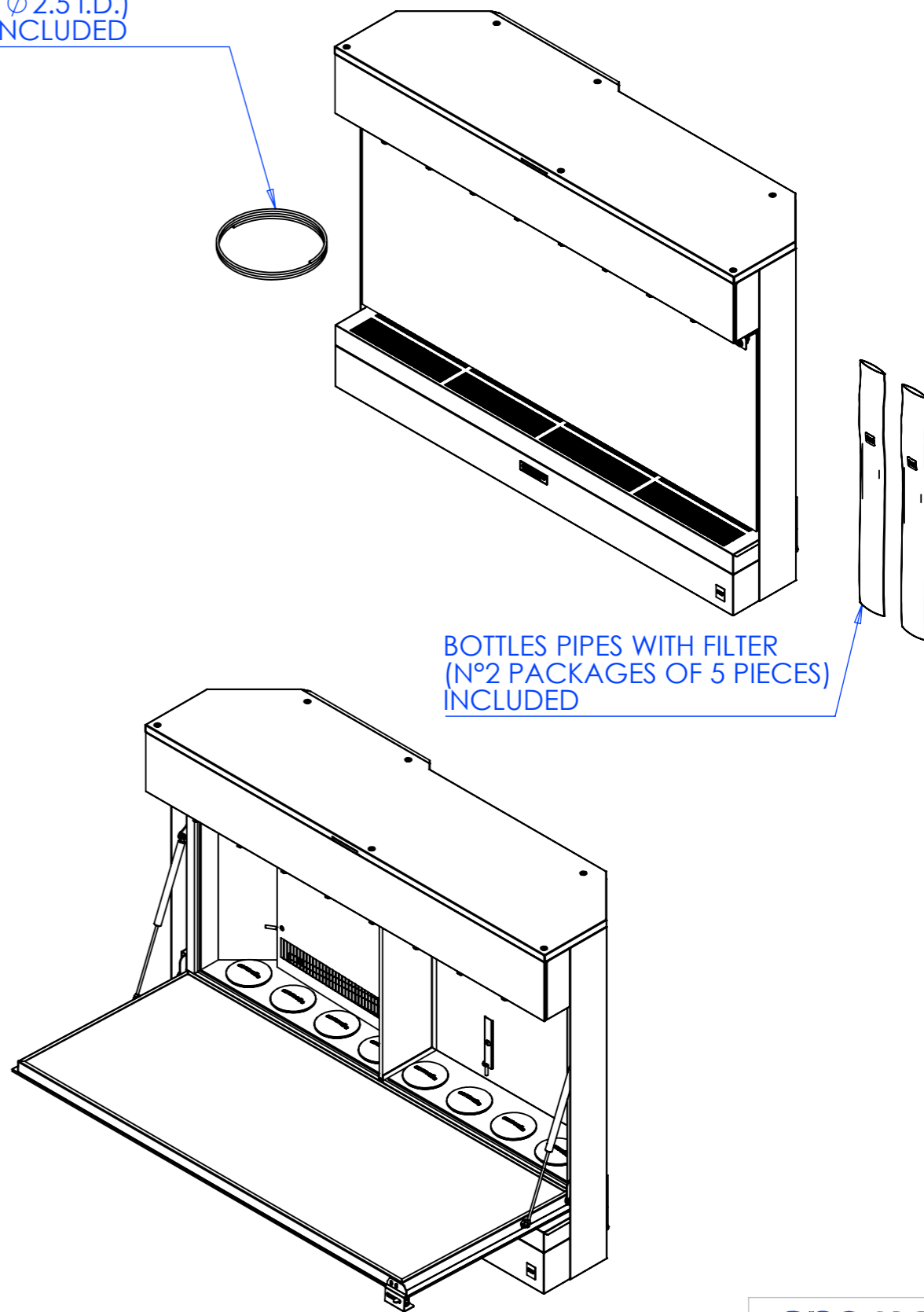
SIZE	HEIGHT (MIN -MAX)	704 mm [27.72]				
	DEPTH	317 mm [12.48]				
	WIDTH	951 mm [37.44]				
WEIGHT (Kg)	57.5 Kg					
FINISH MATERIALS	STAINLESS STEEL AISI 304 - GLASS					
ELETRICAL FEATURES	AVAILABLE MODEL					
	VOLTAGE (V)	100	115	110-127	200-220	220-240
	FREQUENCY (Hz)	50-60	60	60	50-60	50
	POWER (W)	85	125	85	105	128
	AMPS (A)	0.95	1.5	0.95	0.55	0.75
REFRIGERATION SPECIFICATION	REFRIGERATION GAS	R-134A				
	TEMPERATURE CONTROL	ELECTRONIC CONTROLLER				
	DEFROST METHOD	AUTOMATIC VIA ELECTRONIC CONTROLLER				
	METHOD FOR TEMPERATURES CONTROL	DIGITAL				
PRESSURE GAS INLET FOR TAPS (ARGON OR NITROGEN)		MPa 0.4÷0.6 (4÷6 Bar)				
ACCEPTED BOTTLES	HEIGHT	220÷365mm [8.66÷14.37]				
	Ø MAX	TAP 1	105 mm [4.13]			
		TAP 2	101 mm [3.98]			
		TAP 3	93 mm [3.66]			
		TAP 4	90 mm [3.54]			
		TAP 5	97 mm [3.82]			
		TAP 6	105 mm [4.13]			
		TAP 7	105 mm [4.13]			
		TAP 8	105 mm [4.13]			

NOTE

- ALL DIMENSIONS ARE IN mm [inches]

PROPRIETARY AND CONFIDENTIAL
 THE INFORMATION CONTAINED IN THIS DRAWING IS THE SOLE PROPERTY OF ENOMATIC. ANY REPRODUCTION IN PART OR AS A WHOLE WITHOUT THE WRITTEN PERMISSION OF ENOMATIC IS PROHIBITED.

3 METERS OF PIPE
 Ø4mm O.D.
 (Ø2.5 I.D.)
 INCLUDED



BOTTLES PIPES WITH FILTER
 (N°2 PACKAGES OF 5 PIECES)
 INCLUDED

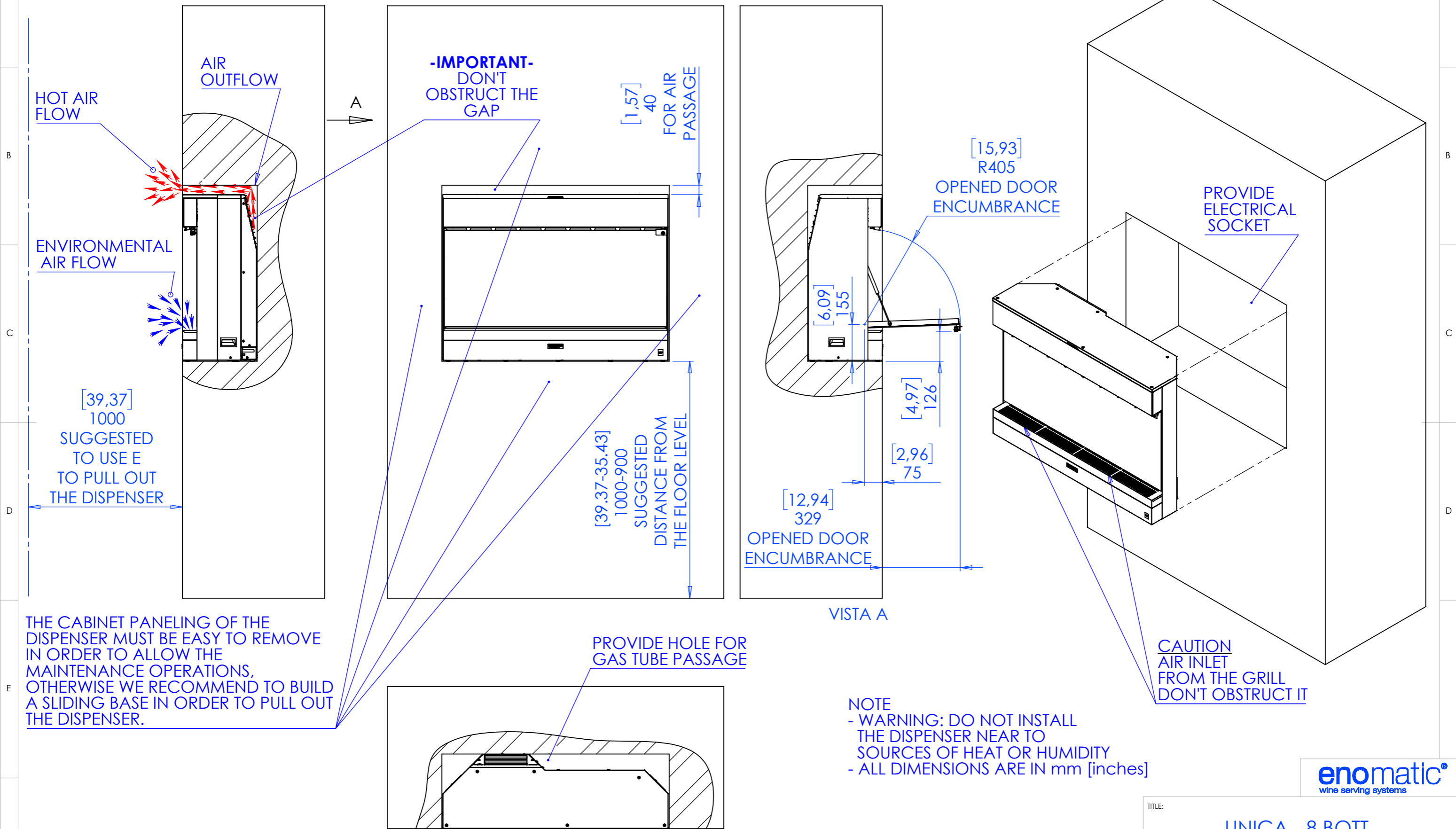
enomatic®
 wine serving systems

TITLE:
UNICA - 8 BOTT.

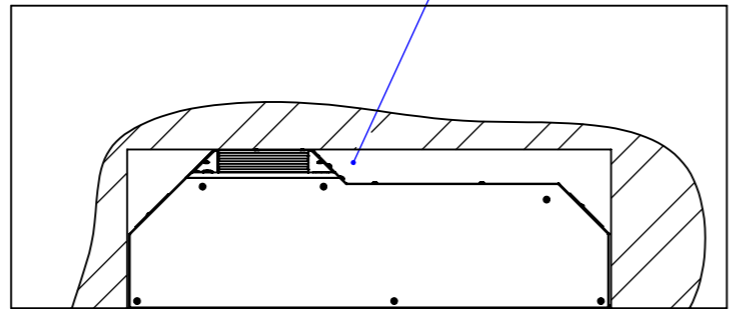
REV.	DESCRIPTION	DATE	EXECUTOR	CHK'D	APPV'D
CODE:	MATERIAL:				WEIGHT Kg:
/	/	/	/	/	/

DWG NO.	ELC380-YM000	A3
<small>QUOTE SENZA INDICAZIONI DI TOLLERANZA SECONDO UNI EN 22768 - mH DIMENSIONS WITHOUT TOLERANCE FIGURES, ACCORDING TO UNI EN 22768 - mH STANDARD</small>		
SCALE:1:10	LANGUAGE: ENGLISH	FINISH: THICKNESS:

1 - EXAMPLE OF INSTALLATION - POSITIONING IN FORESEEN BOX (REFER TO MINIMAL REQUIRED CLEARANCE FOR PROPER PERFORMANCES)



THE CABINET PANELING OF THE DISPENSER MUST BE EASY TO REMOVE IN ORDER TO ALLOW THE MAINTENANCE OPERATIONS, OTHERWISE WE RECOMMEND TO BUILD A SLIDING BASE IN ORDER TO PULL OUT THE DISPENSER.



NOTE
- WARNING: DO NOT INSTALL THE DISPENSER NEAR TO SOURCES OF HEAT OR HUMIDITY
- ALL DIMENSIONS ARE IN mm [inches]

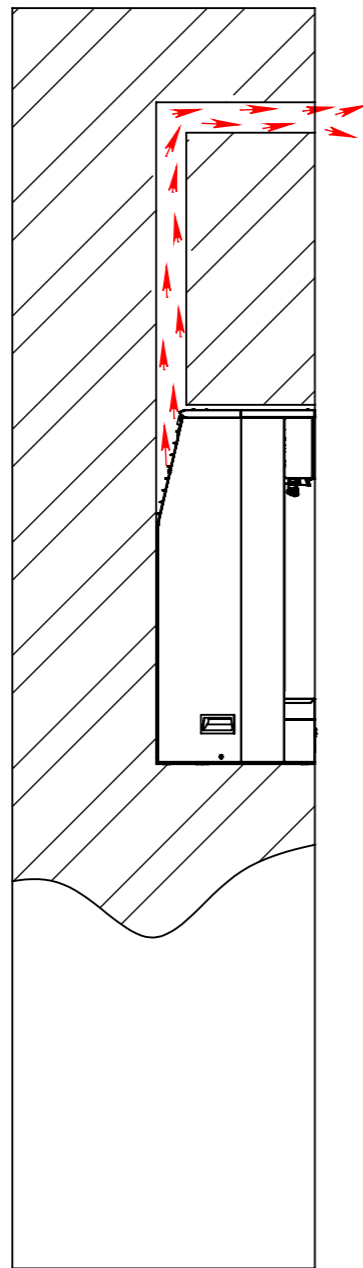
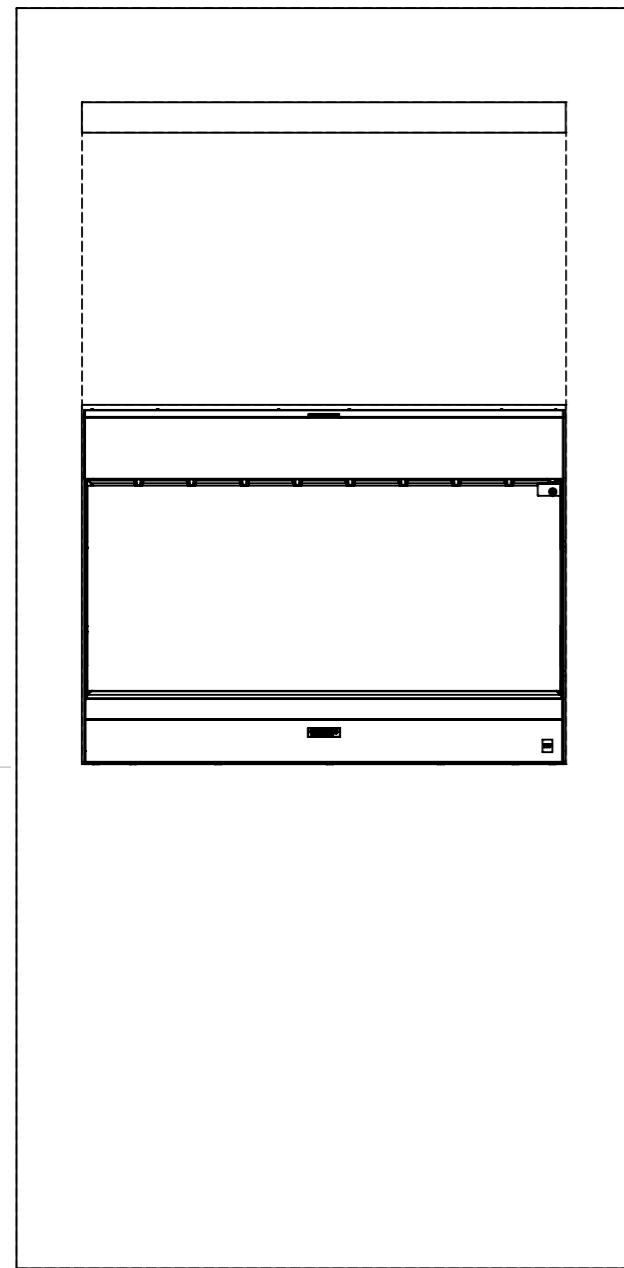


TITLE:		UNICA - 8 BOTT.	
DWG NO.	ELC380-YM000	A3	
QUOTE SENZA INDICAZIONI DI TOLLERANZA SECONDO UNI EN 22768 - mH DIMENSIONS WITHOUT TOLERANCE FIGURES, ACCORDING TO UNI EN 22768 - mH STANDARD			
SCALE:1:15	LANGUAGE: ENGLISH	FINISH:	THICKNESS:
SHEET 5 OF 7			

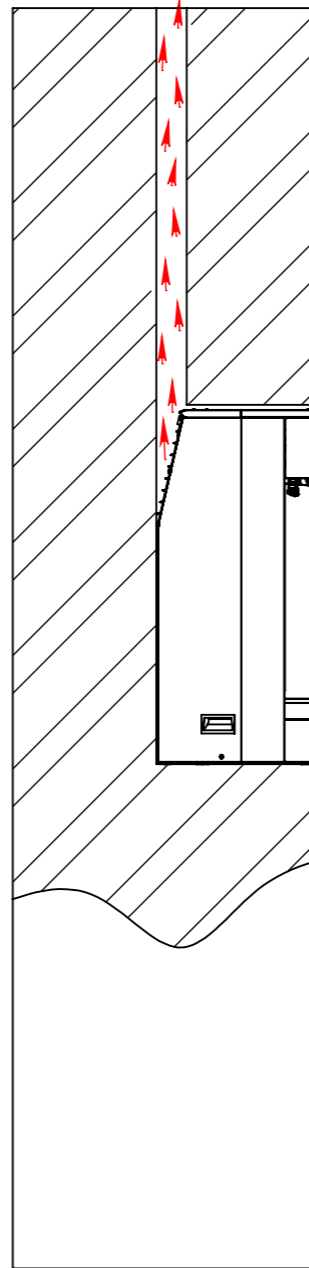
PROPRIETARY AND CONFIDENTIAL
THE INFORMATION CONTAINED IN THIS DRAWING IS THE SOLE PROPERTY OF ENOMATIC. ANY REPRODUCTION IN PART OR AS A WHOLE WITHOUT THE WRITTEN PERMISSION OF ENOMATIC IS PROHIBITED.

REV.	DESCRIPTION	DATE	EXECUTOR	CHK'D	APPV'D
CODE:	MATERIAL:				WEIGHT Kg:
/	/	/	/	/	/

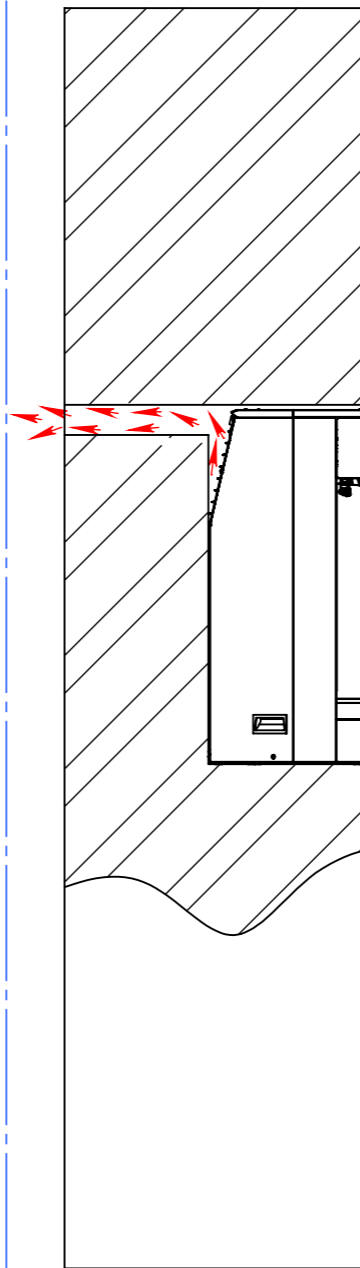
**3 - N°4 EXAMPLE OF INSTALLATION - BUILT-IN POSITIONING -
PASSAGE OF AIR FOR EACH DISPENSER BIGGER OF 10000 mm² [15,5 in²]**



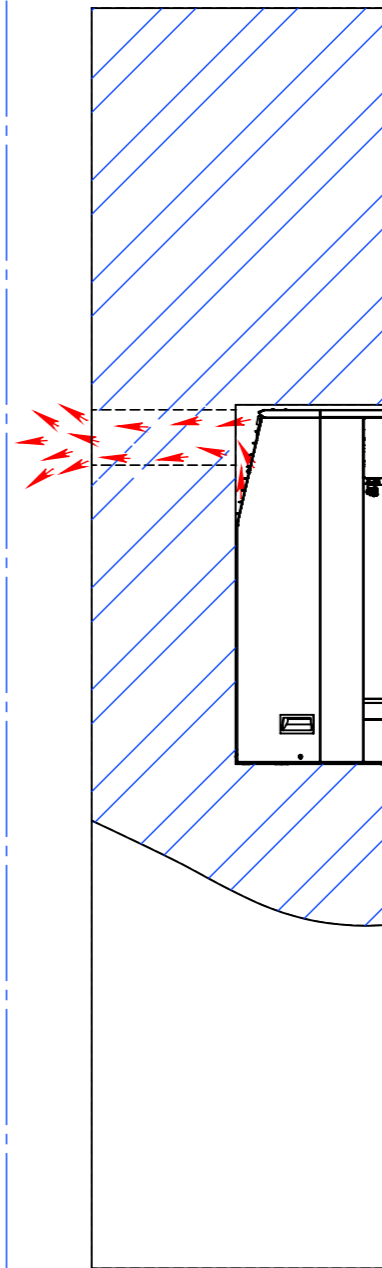
1



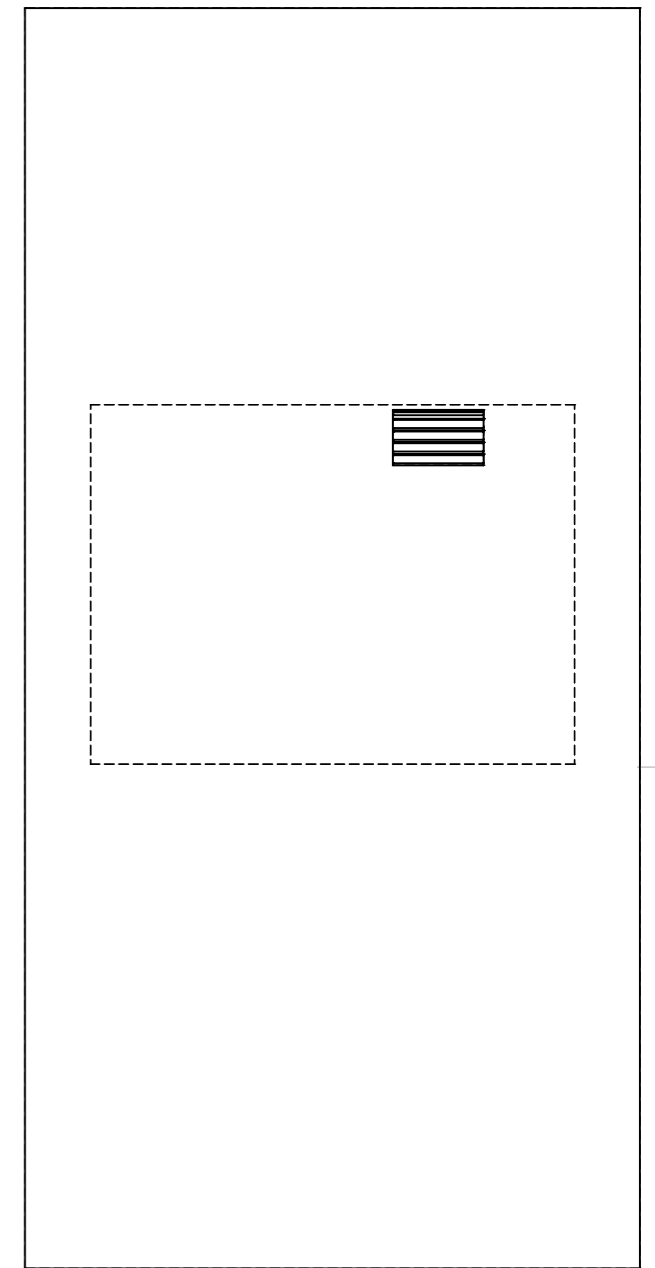
2



3



4



enomatic[®]
wine serving systems

TITLE:
UNICA - 8 BOTT.

PROPRIETARY AND CONFIDENTIAL
THE INFORMATION CONTAINED IN THIS DRAWING IS THE SOLE PROPERTY OF ENOMATIC. ANY REPRODUCTION IN PART OR AS A WHOLE WITHOUT THE WRITTEN PERMISSION OF ENOMATIC IS PROHIBITED.

REV.	DESCRIPTION	DATE	EXECUTOR	CHK'D	APPV'D
CODE:	MATERIAL:				WEIGHT Kg:
/	/				/

DWG NO. **ELC380-YM000**

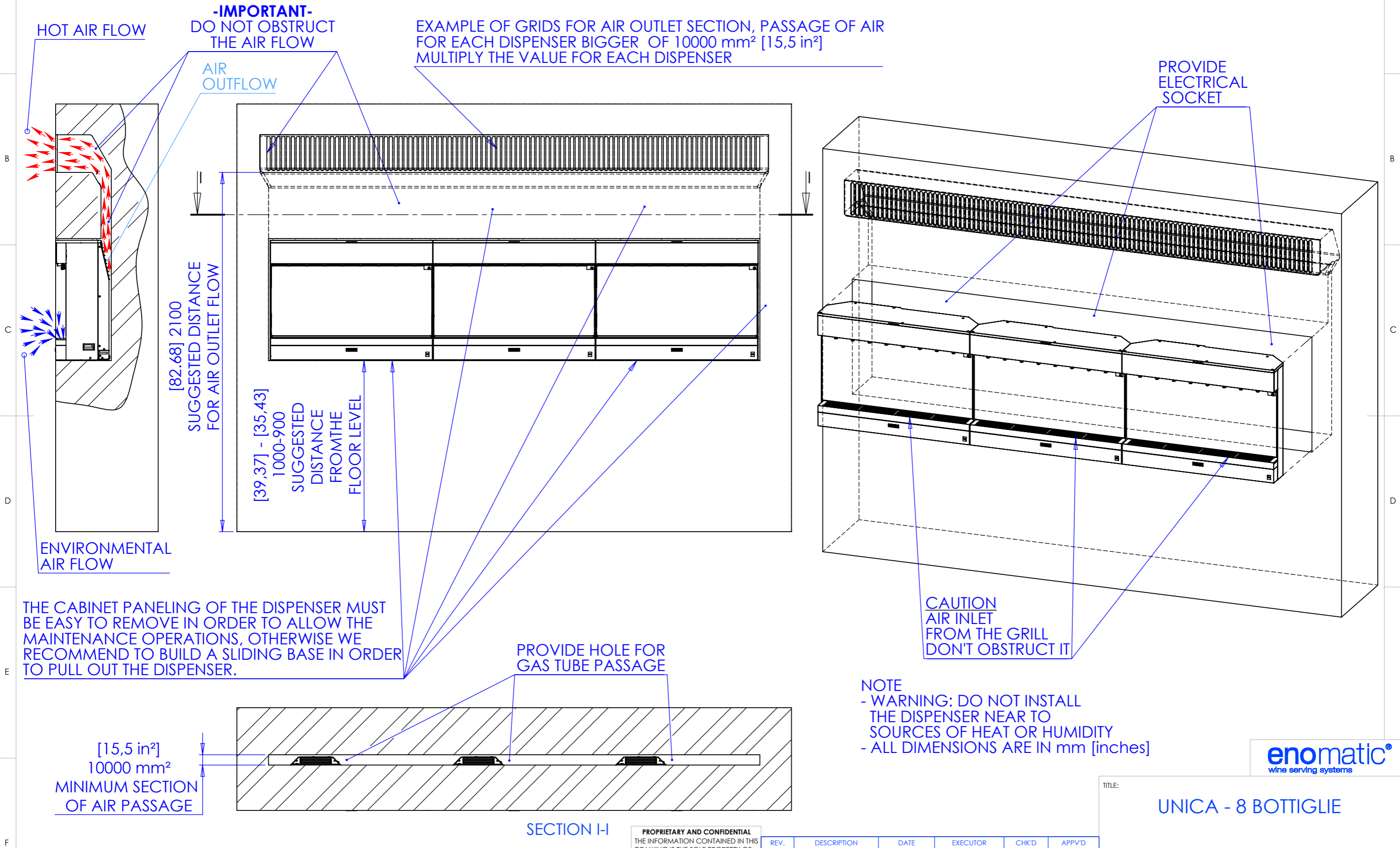
A3

QUOTE SENZA INDICAZIONI DI TOLLERANZA SECONDO UNI EN 22768 - mH
DIMENSIONS WITHOUT TOLERANCE FIGURES, ACCORDING TO UNI EN 22768 - mH. STANDARD

SCALE:1:15 LANGUAGE: ENGLISH FINISH: THICKNESS:

SHEET 6 OF 7

3 - EXAMPLE OF INSTALLATION - BUILT-IN POSITIONING
 (REFER TO MINIMAL REQUIRED CLEARANCE FOR PROPER PERFORMANCES)



PROPRIETARY AND CONFIDENTIAL
 THE INFORMATION CONTAINED IN THIS DRAWING IS THE SOLE PROPERTY OF ENOMATIC. ANY REPRODUCTION IN PART OR AS A WHOLE WITHOUT THE WRITTEN PERMISSION OF ENOMATIC IS PROHIBITED.

REV.	DESCRIPTION	DATE	EXECUTOR	CHK'D	APPV'D
CODE:	MATERIAL:				WEIGHT Kg:
/	/	/	/	/	/



TITLE: **UNICA - 8 BOTTIGLIE**

DWG NO. **ELC380-YM000**

SCALE: 1:20 LANGUAGE: ENGLISH FINISH: THICKNESS:

A3 SHEET 7 OF 7